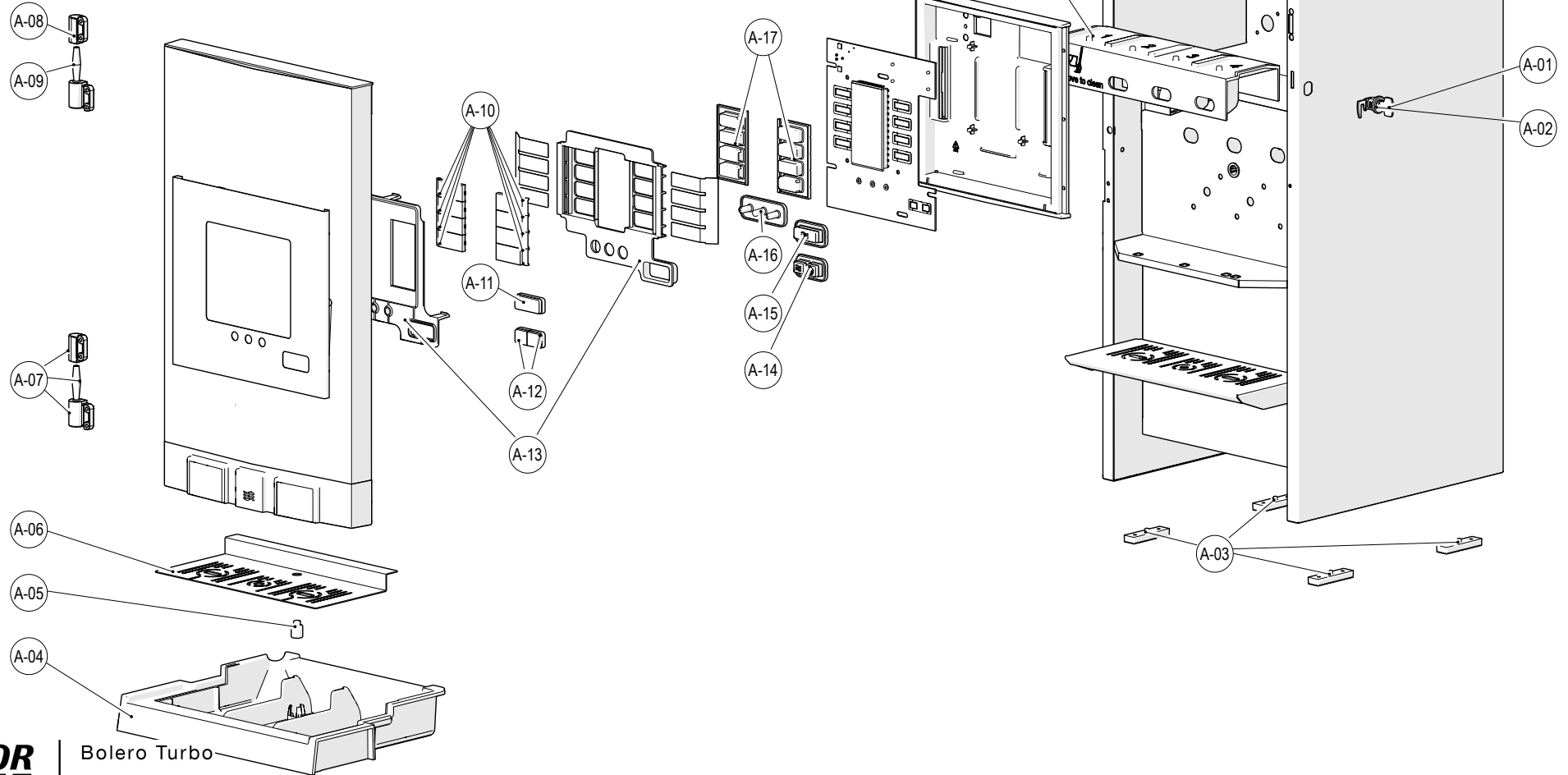
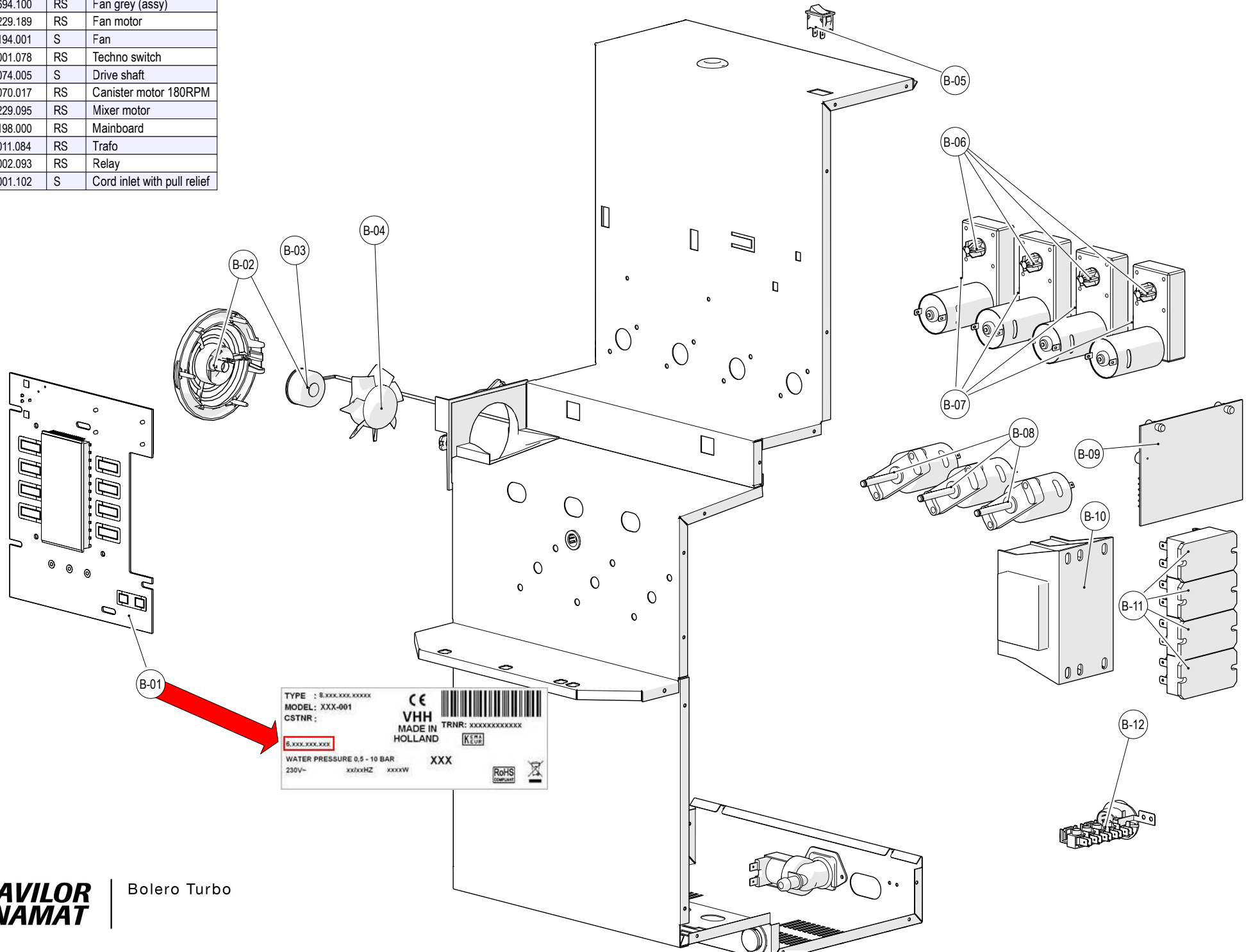


ID	Service parts	S-RS	Description
A-01	6.014.012.017	S	Key
A-02	6.014.004.052	S	Lock incl. key/spring
A-03	6.329.060.001	S	Foot
A-04	6.329.203.001	S	Drip-tray
A-05	6.229.116.001	S	Float drip-tray
A-06	6.329.233.001	S	Plate for drip-tray
A-07	6.000.231.035	S	Hinge
A-08	6.231.171.001	S	Hinge pin plate
A-09	6.231.172.001	S	Hinge pin pen
A-10	6.229.974.001	S	Push button
A-11	6.229.975.001	S	Push button
A-12	6.229.980.001	S	Push button
A-13	6.000.229.138	S	Window+frame keyboard
A-14	6.229.979.001	S	Switch hot water 1/2
A-15	6.229.976.001	S	Switch hot water
A-16	6.229.977.001	S	Programming switch
A-17	6.229.978.001	S	Switch
A-18	6.329.202.001	S	Fan shaft

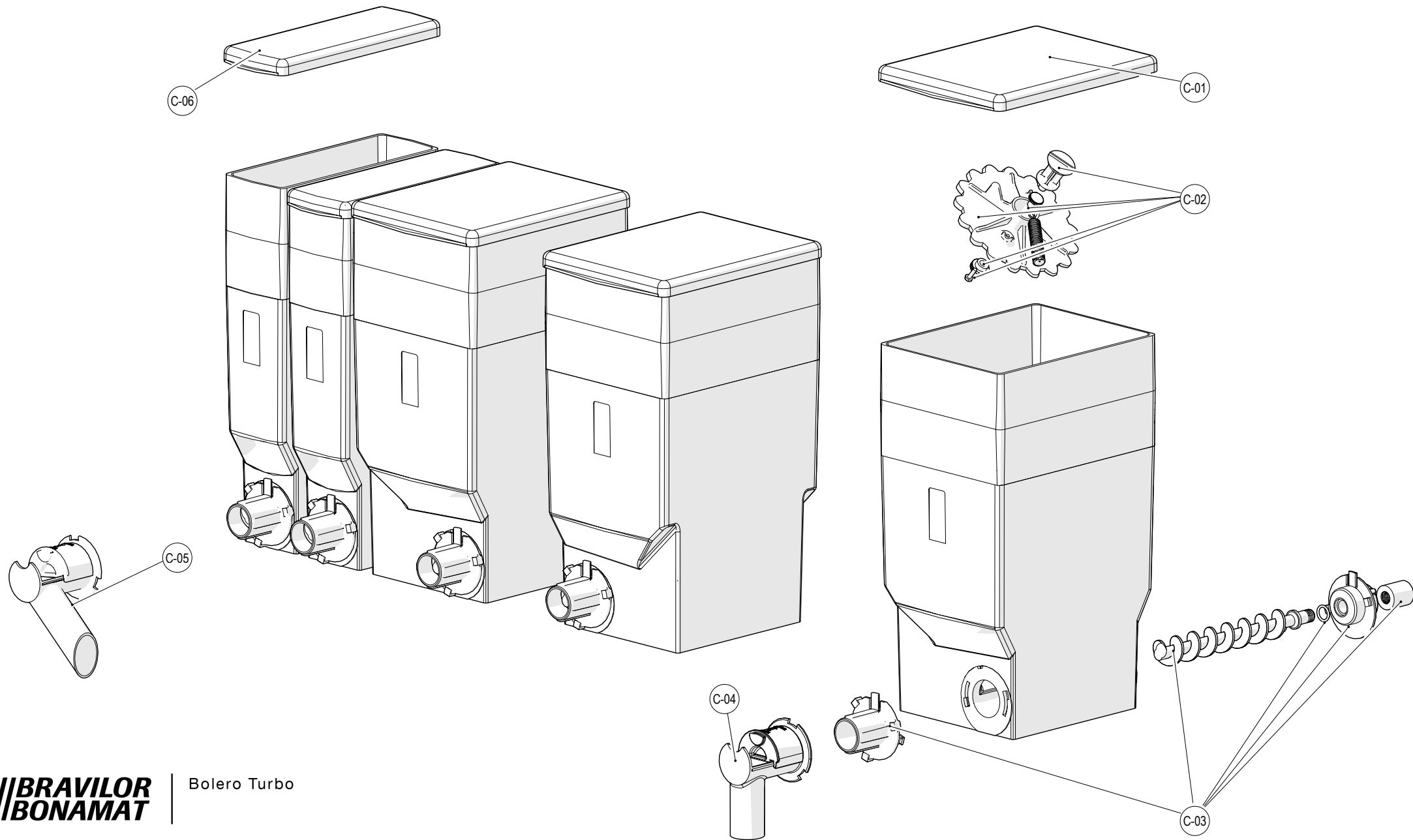


ID	Service parts	S-RS	Description
B-01	6.xxx.xxx.xxx	RS	Keyboard + software
B-02	6.231.694.100	RS	Fan grey (assy)
B-03	6.000.229.189	RS	Fan motor
B-04	6.231.194.001	S	Fan
B-05	6.004.001.078	RS	Techno switch
B-06	6.030.074.005	S	Drive shaft
B-07	6.030.070.017	RS	Canister motor 180RPM
B-08	6.000.229.095	RS	Mixer motor
B-09	6.329.198.000	RS	Mainboard
B-10	6.004.011.084	RS	Trafo
B-11	6.004.002.093	RS	Relay
B-12	6.006.001.102	S	Cord inlet with pull relief



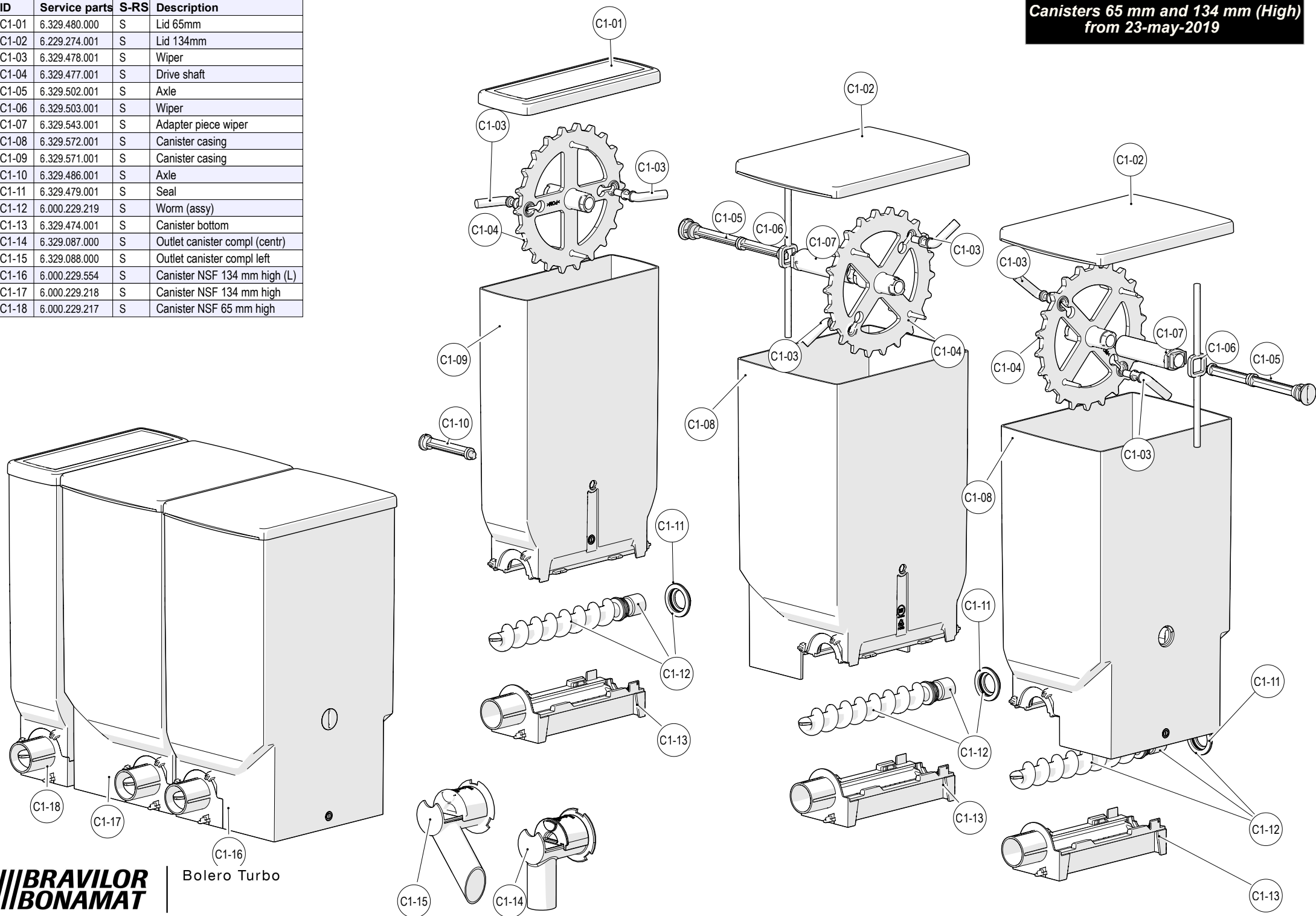
ID	Service parts	S-RS	Description
C-01	6.229.274.001	S	Lid 134mm
C-02	6.000.229.102	S	Drive shaft assy
C-03	6.000.229.122	S	Set of canister spare parts
C-04	6.329.087.000	S	Outlet canister compl (centr)
C-05	6.329.088.000	S	Outlet canister compl left
C-06	6.229.273.001	S	Lid 65mm

**Canisters 65 mm and 134 mm (High)
till 23-may-2019**

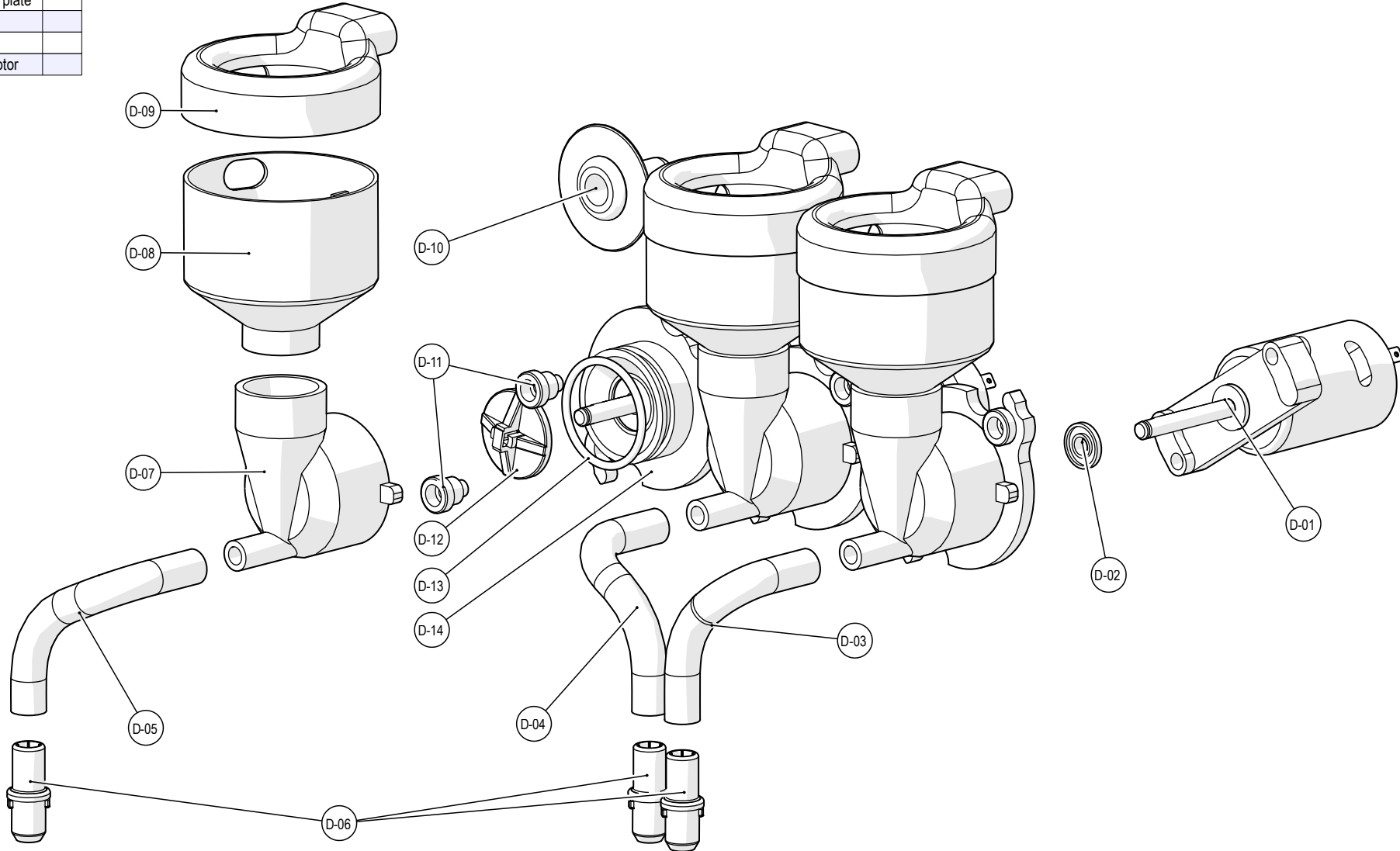


ID	Service parts	S-RS	Description
C1-01	6.329.480.000	S	Lid 65mm
C1-02	6.229.274.001	S	Lid 134mm
C1-03	6.329.478.001	S	Wiper
C1-04	6.329.477.001	S	Drive shaft shaft</td
C1-05	6.329.502.001	S	Axle
C1-06	6.329.503.001	S	Wiper
C1-07	6.329.543.001	S	Adapter piece wiper
C1-08	6.329.572.001	S	Canister casing
C1-09	6.329.571.001	S	Canister casing
C1-10	6.329.486.001	S	Axle
C1-11	6.329.479.001	S	Seal
C1-12	6.000.229.219	S	Worm (assy)
C1-13	6.329.474.001	S	Canister bottom
C1-14	6.329.087.000	S	Outlet canister compl (centr)
C1-15	6.329.088.000	S	Outlet canister compl left
C1-16	6.000.229.554	S	Canister NSF 134 mm high (L)
C1-17	6.000.229.218	S	Canister NSF 134 mm high
C1-18	6.000.229.217	S	Canister NSF 65 mm high

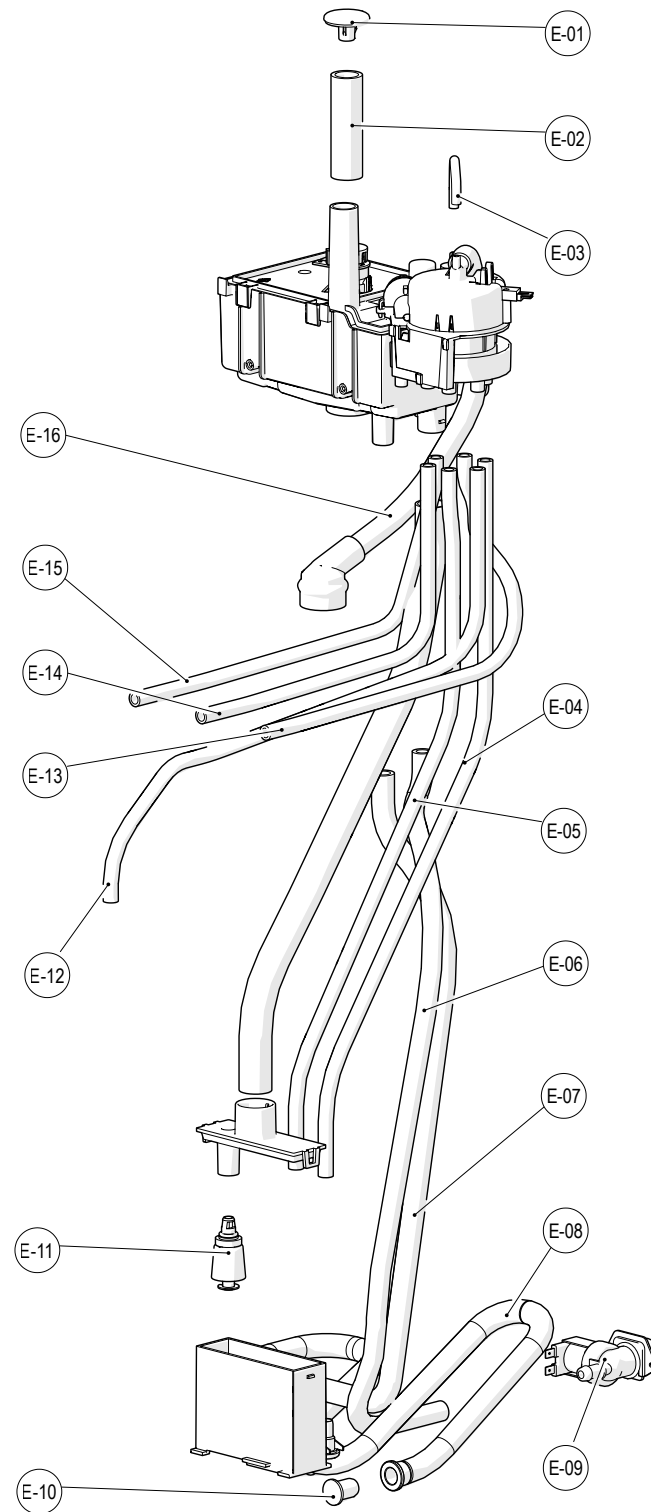
**Canisters 65 mm and 134 mm (High)
from 23-may-2019**



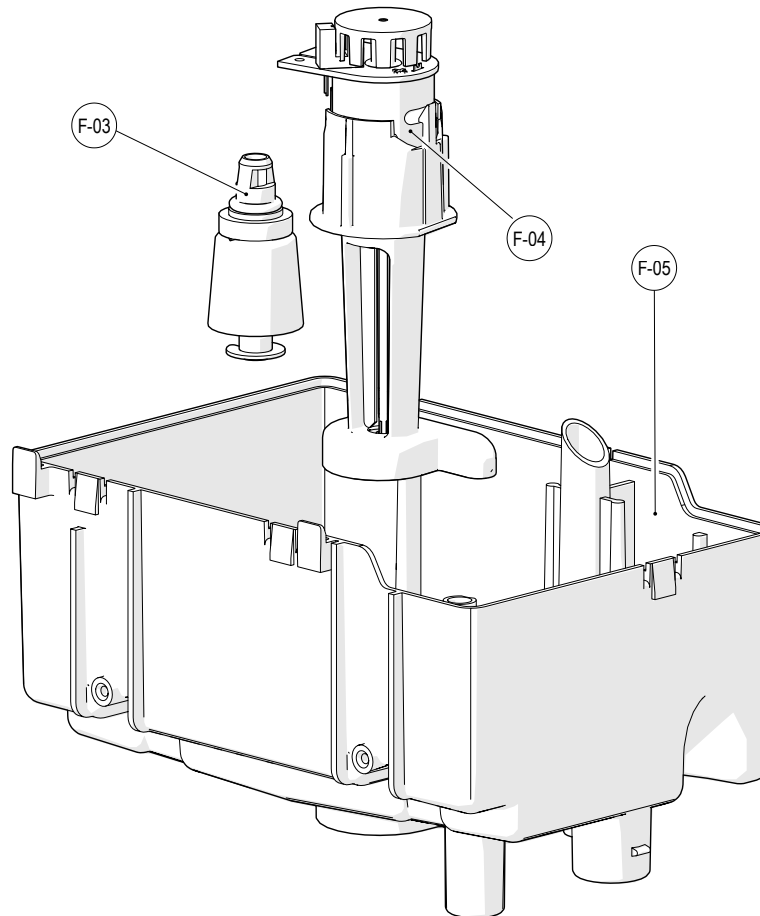
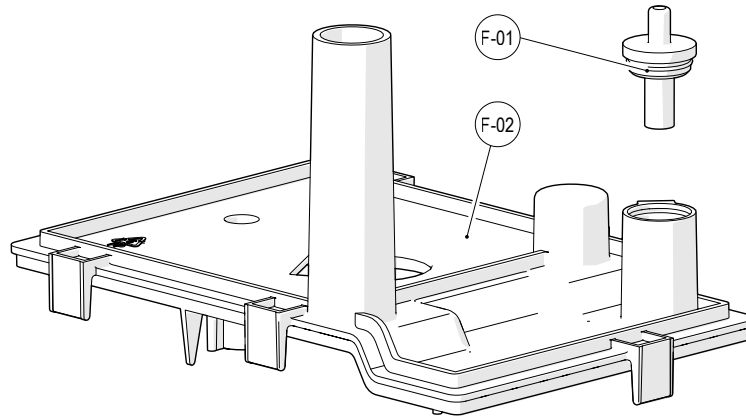
ID	Service parts	S-RS	Description	mm
D-01	6.000.229.095	RS	Mixer motor	
D-02	6.030.074.001	S	Ring mixer motor	
D-03	6.231.439.001	S	Silicone tube 7,5 x 2	80
D-04	6.231.439.001	S	Silicone tube 7,5 x 2	70
D-05	6.231.439.001	S	Silicone tube 7,5 x 2	70
D-06	6.231.177.003	S	Outlet	
D-07	6.030.009.001	S	Mixing chamber	
D-08	6.030.071.011	S	Mixing chamber	
D-09	6.030.071.014	S	Condense reservoir	
D-10	6.030.071.015	S	Water inlet	
D-11	6.030.011.001	S	Support motor plate	
D-12	6.030.014.001	S	Whipper disk	
D-13	6.030.071.005	S	O-ring	
D-14	6.030.071.007	S	Plate mixer motor	



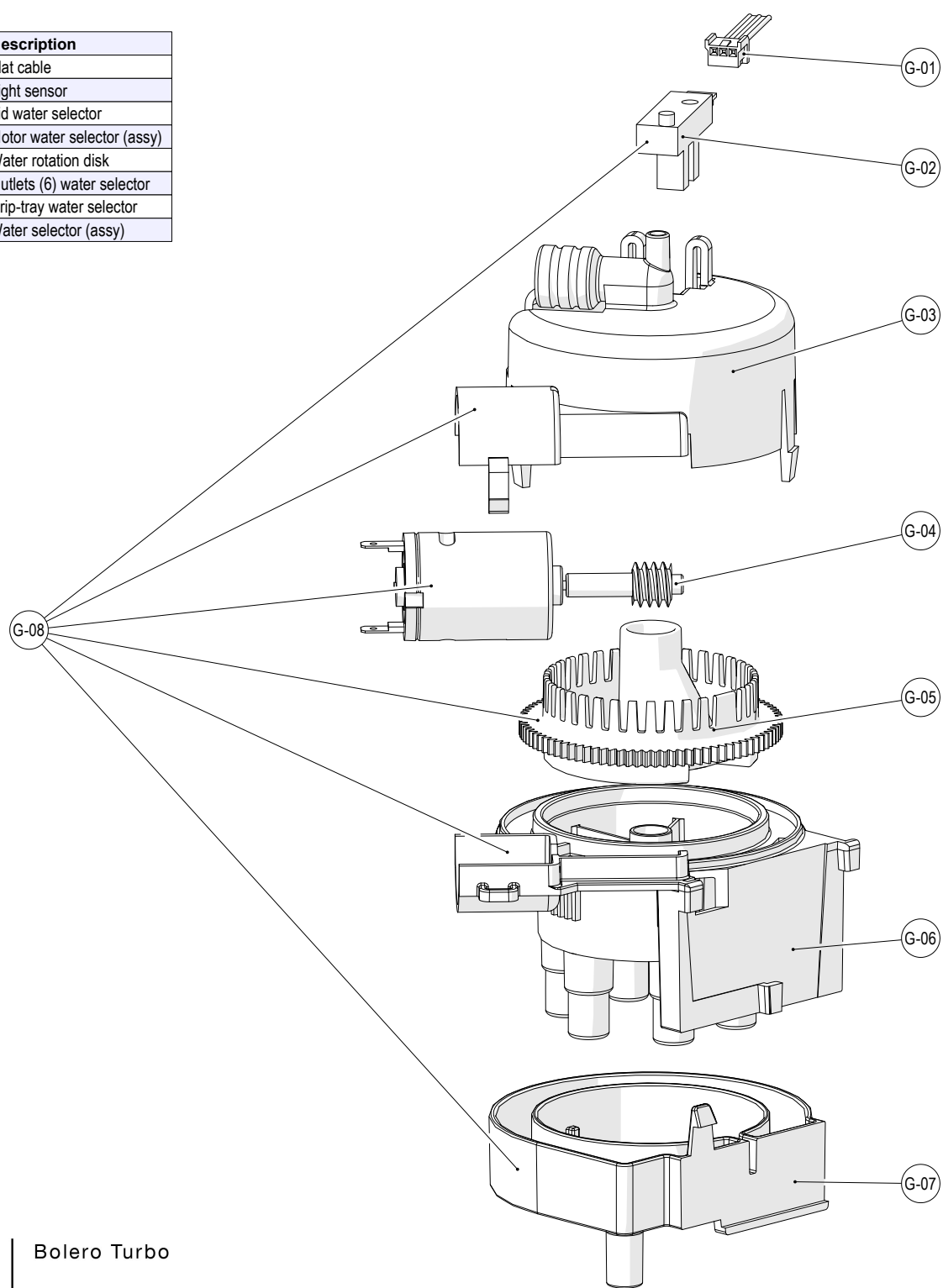
ID	Service parts	S-RS	Description	mm
E-01	6.402.010.001	S	Descaler cover	
E-02	6.019.033.017	S	Silicone tube 18x3	80
E-03	6.019.033.009	S	Silicone tube 7 x 4	220
E-04	6.019.033.004	S	Silicone tube 7,5 x 2	575
E-05	6.019.033.004	S	Silicone tube 7,5 x 2	575
E-06	6.019.033.014	S	Silikonenschlauch 15,5 x 9,5	820
E-07	6.019.033.013	S	Silicone tube 17,5 x 11,5	590
E-08	6.263.081.001	S	Tube boiler drain	
E-09	6.016.001.112	RS	Magnetic valve 3.5 L/min 24V DC	
E-10	6.006.002.018	S	Tightening plug 10.5 mm	
E-11	6.229.546.001	S	Float	
E-12	6.019.033.004	S	Silicone tube 7,5 x 2	490
E-13	6.019.033.004	S	Silicone tube 7,5 x 2	310
E-14	6.019.033.004	S	Silicone tube 7,5 x 2	340
E-15	6.019.033.004	S	Silicone tube 7,5 x 2	340
E-16	6.231.264.001	S	Tube	350



ID	Service parts	S-RS	Description
F-01	6.229.829.001	S	Nipple
F-02	6.000.229.165	S	Lid
F-03	6.229.643.001	RS	Float
F-04	6.000.229.150	RS	Motor float tank (assy)
F-05	6.229.745.001	S	Pumpfloat tank

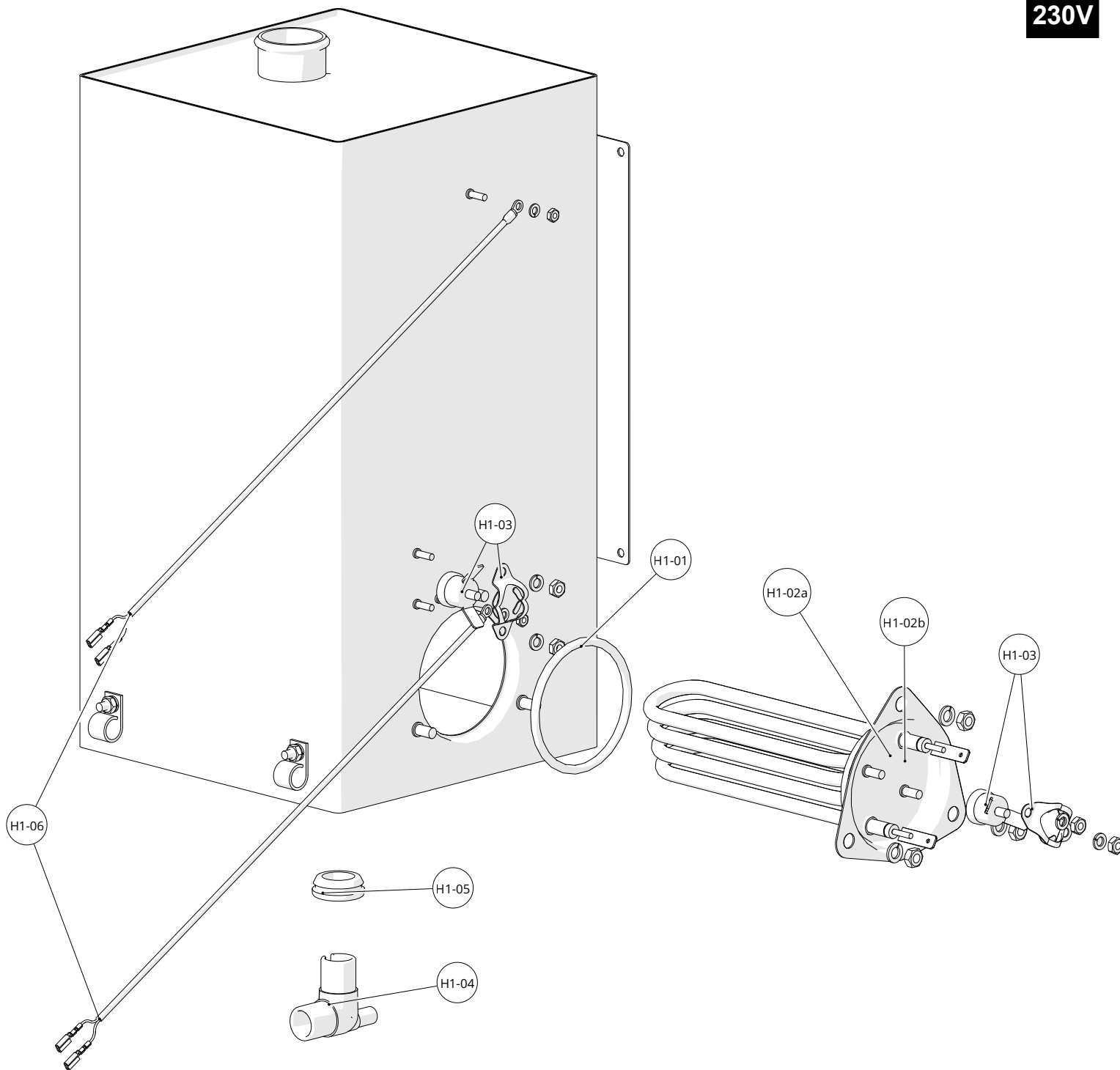
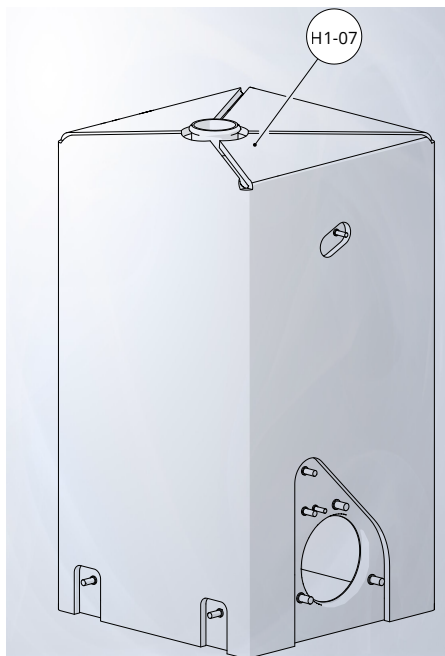


ID	Service parts	S-RS	Description
G-01	6.229.681.000	S	Flat cable
G-02	6.004.026.001	RS	Light sensor
G-03	6.231.121.001	S	Lid water selector
G-04	6.000.231.022	RS	Motor water selector (assy)
G-05	6.231.572.001	RS	Water rotation disk
G-06	6.231.119.001	S	Outlets (6) water selector
G-07	6.231.259.001	S	Drip-tray water selector
G-08	6.000.231.104	S	Water selector (assy)



ID	Service parts	S-RS	Description
H1-01	6.011.001.155	S	O-ring 56.8 X 2.6
H1-02a	6.236.320.000	RS	Heating Element 240V/3640W
H1-02b	6.236.351.000	RS	Heating Element 240V/2922W
H1-03	6.016.008.064	RS	High temperature safety switch
H1-04	6.231.132.001	S	Nipple
H1-05	6.231.191.001	S	Ring
H1-06	6.231.229.000	RS	Temperature sensor
H1-07	6.329.271.001	S	7L 1T Bolero boiler, complete with insulation

When replacing an element, check the machine for the correct version/wattage.



ID	Service parts	S-RS	Description
H2-01	6.011.001.155	S	O-ring 56.8 X 2.6
H2-02	6.236.320.000	RS	Heating element 240V/3640W
H2-03	6.016.008.064	RS	High temperature safety switch
H2-04	6.231.132.001	S	Nipple
H2-05	6.231.191.001	S	Ring
H2-06	6.231.229.000	RS	Temperature sensor
H2-07	6.329.270.001	S	7L 3T Bolero boiler, complete with insulation

